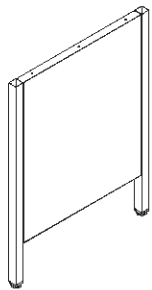
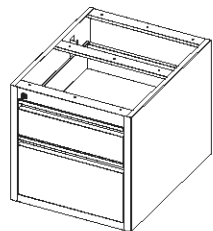


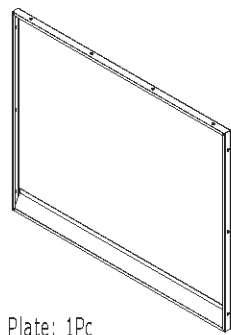
Left Leg: 1Pc



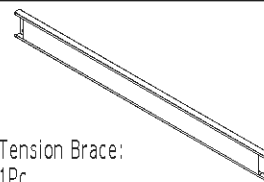
Right Leg: 1Pc



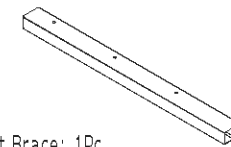
2 Drawer Cabinet: 1Pc



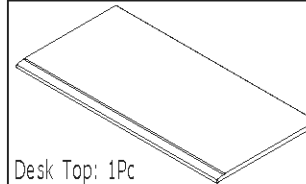
Back Plate: 1Pc



Tension Brace: 1Pc



Front Brace: 1Pc



Desk Top: 1Pc



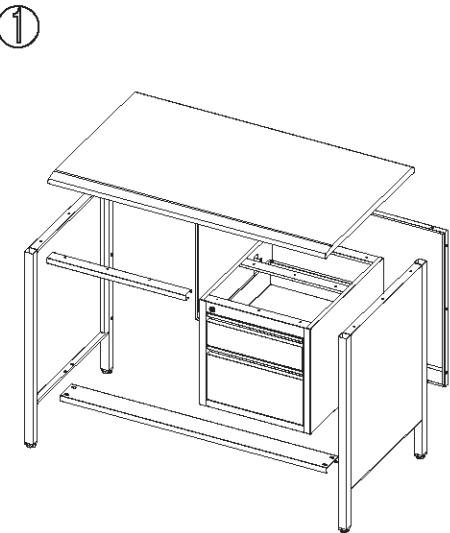
5*12 Self-tapping Screw: 22Pcs



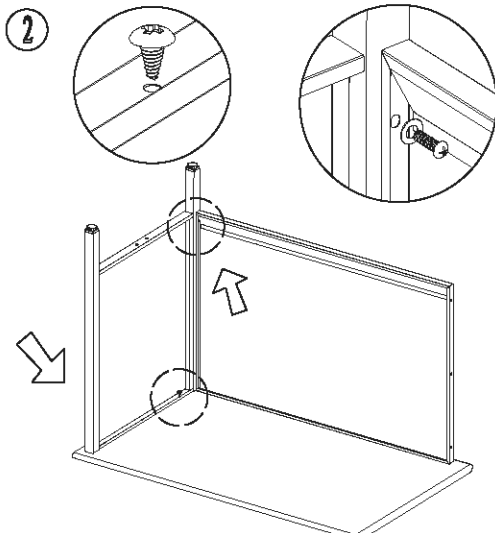
6*10 Screw: 10Pc



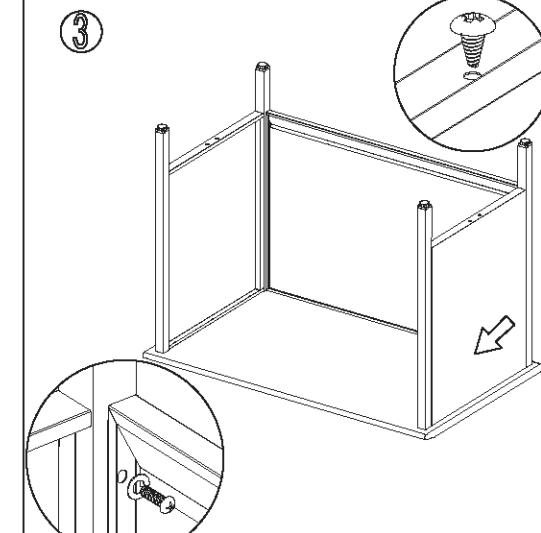
Key: 1Set



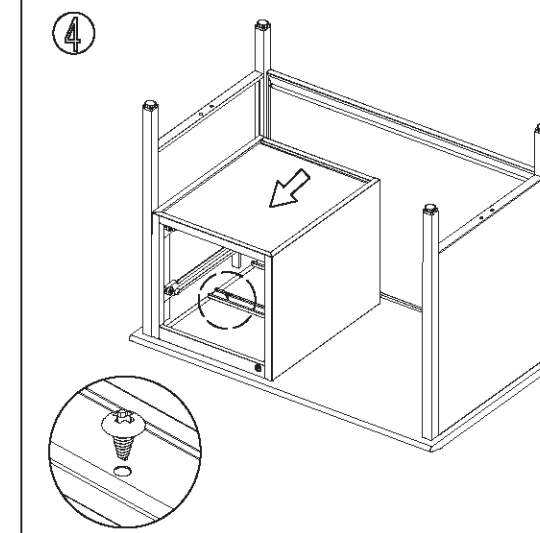
1



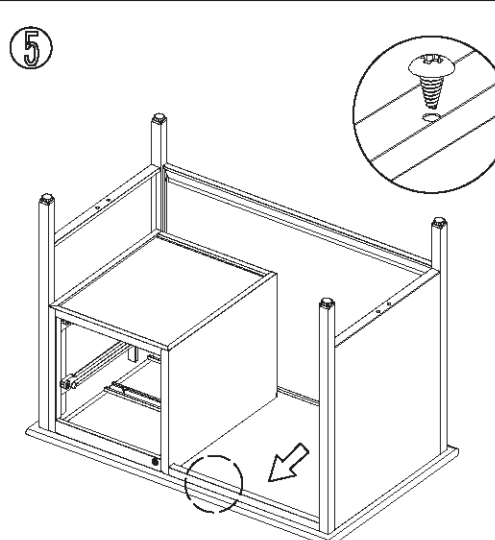
2



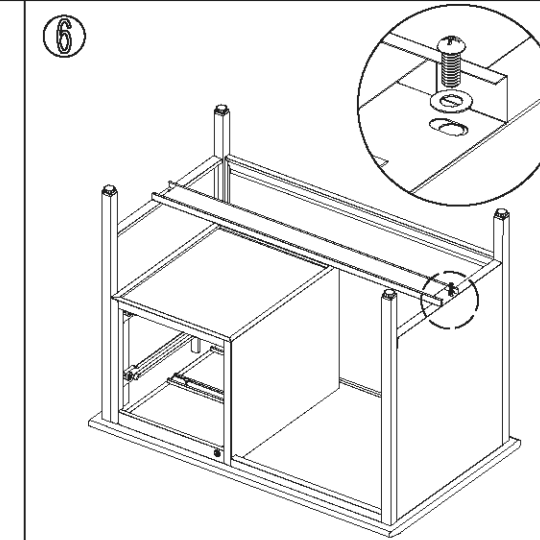
3



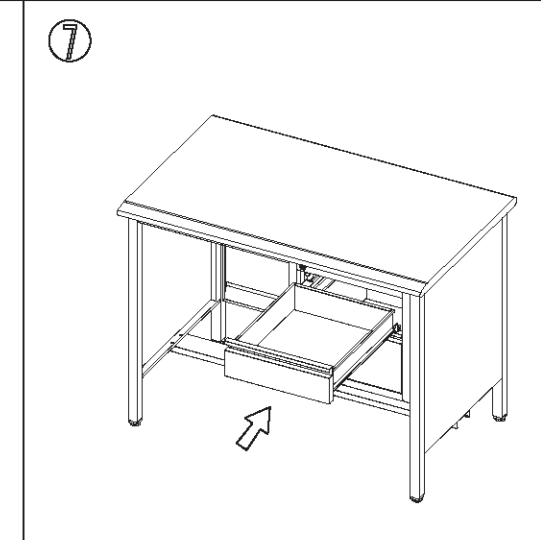
4



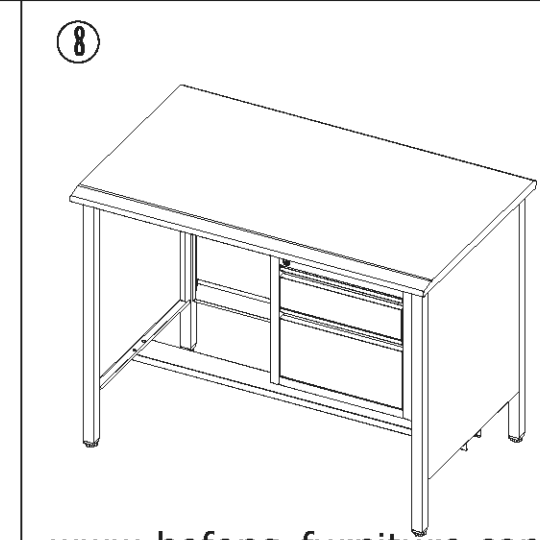
5



6



7



8