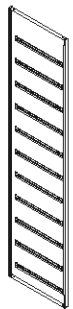
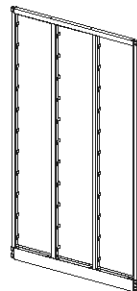




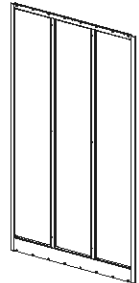
Left Side:1Pc



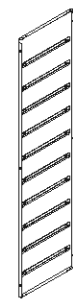
Right Side:1Pc



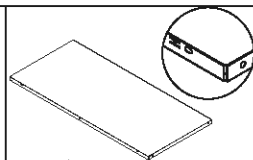
Door frame:1pc



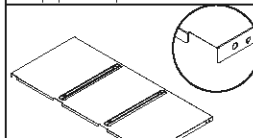
Back plate: 1pc



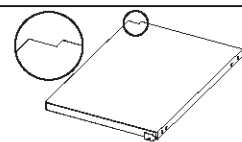
Division plate:2pc



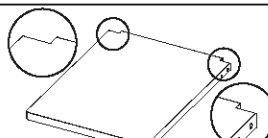
Top plate:1pc



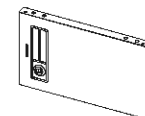
Bottom plate:1pc



Shelf(Left and Middle): 20Pcs



Shelf(Right): 10Pcs



Door plate: 33Pcs



Self-tapping Screw(5x12):24Pcs



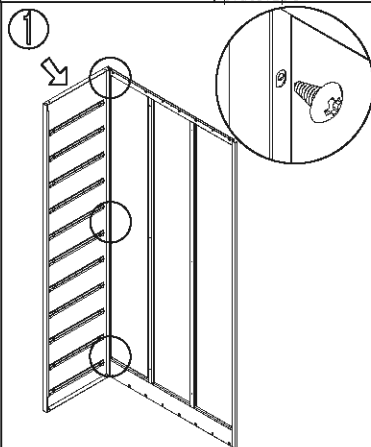
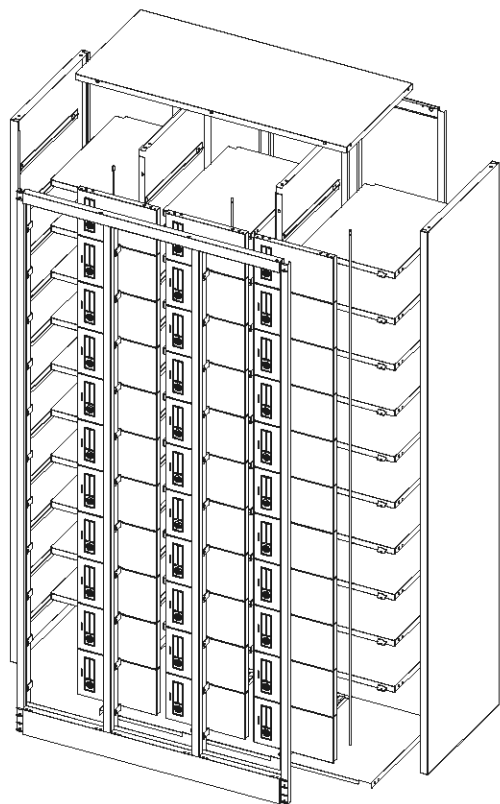
Door Pivot Washer: 33 Pcs



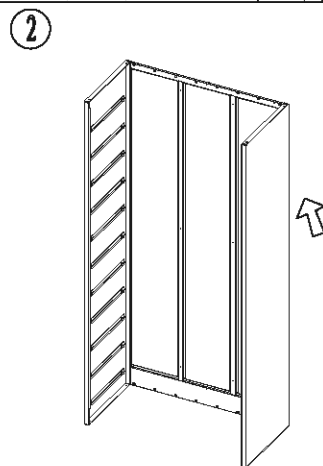
Key:33 Set



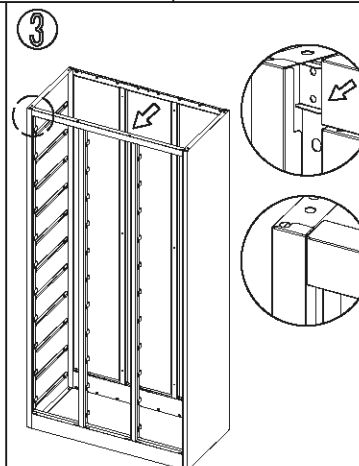
Door Pivot: 33Pcs



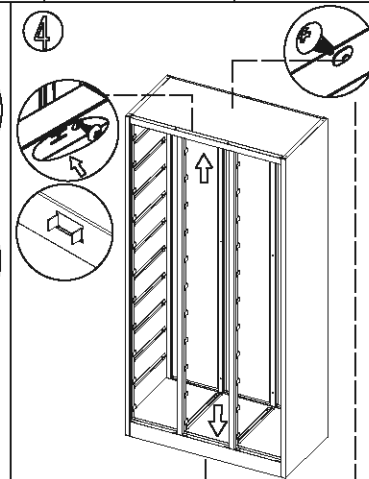
Bolt the left side plate and back plate with self-tapping screw 5*12



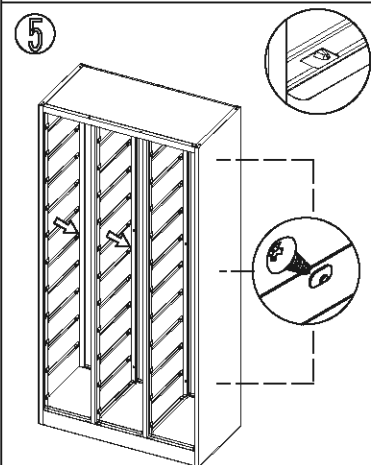
Bolt the right side plate with back plate in the same way as first step



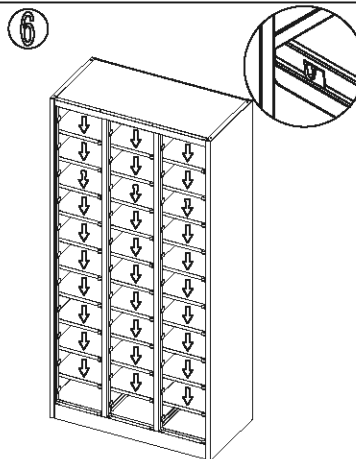
Fix the door frame as the sign



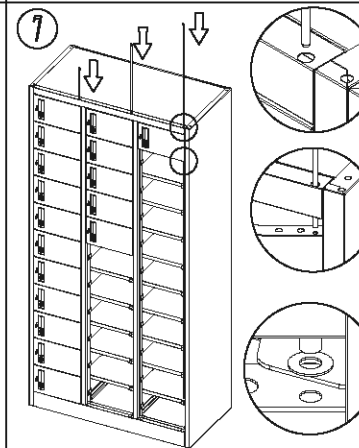
Install the top and bottom plate respectively



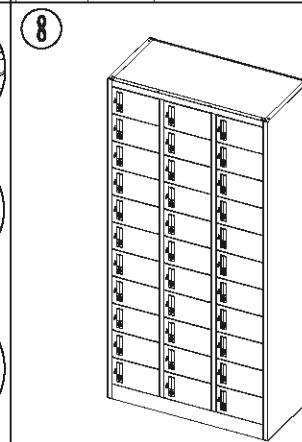
Fix the division plate with self-tapping screw 5*12.



Fix the shelves as the sign.



Fix the door from top to bottom as the sign (add some door pivot washers to adjust the door)



Adjust each parts till fit well after installation