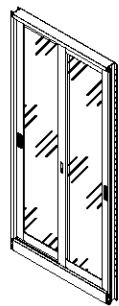




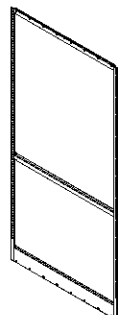
Side Plate(left):1pc



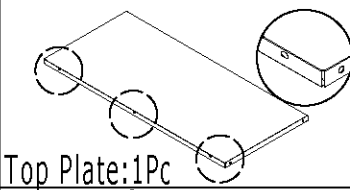
Side Plate(Right):1pc



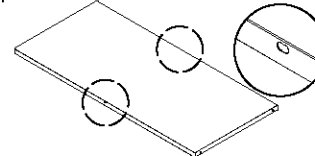
Door Frame:1pc



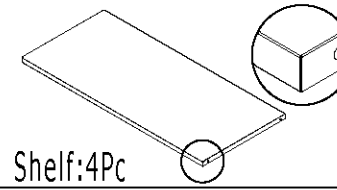
Back Plate:1Pc



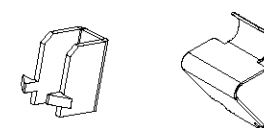
Top Plate:1Pc



Bottom Plate:1Pc



Shelf:4Pc



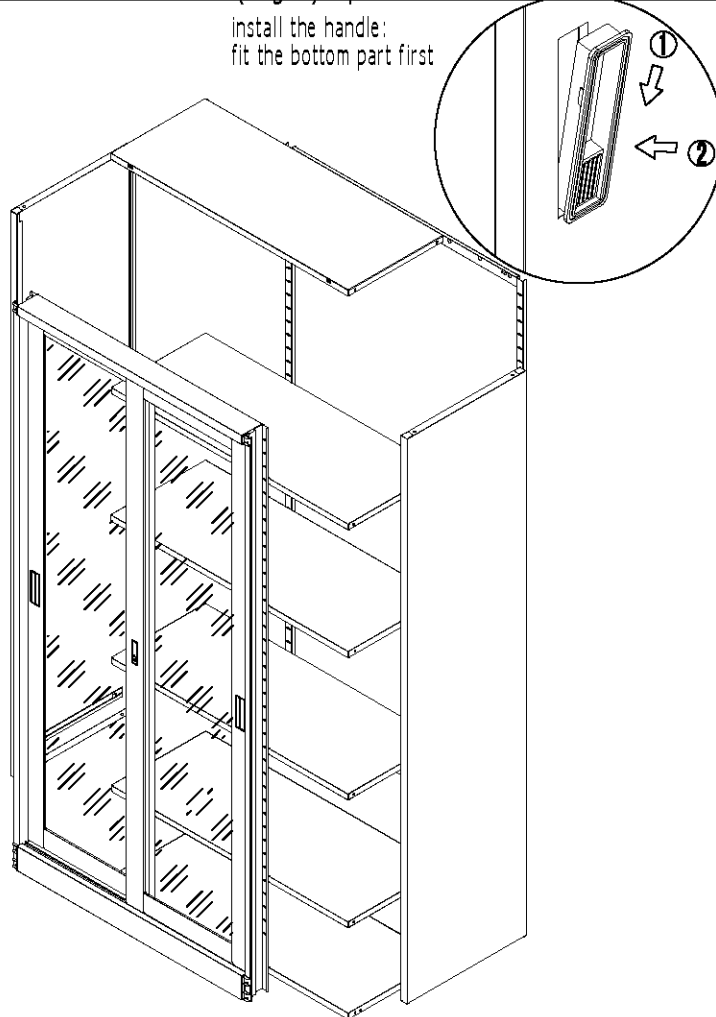
Shelf Holder:16pcs



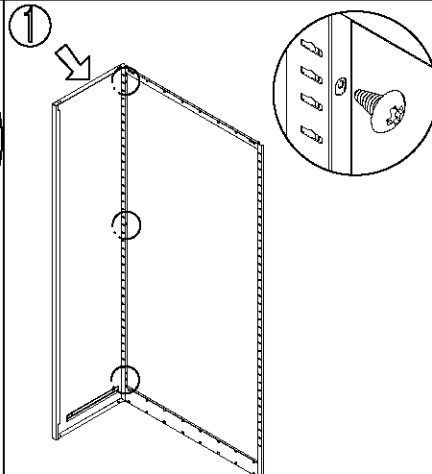
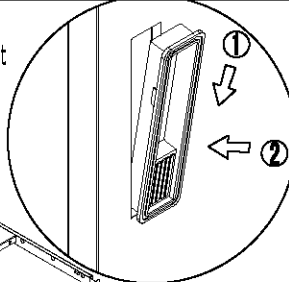
Self-tapping  
Screw(5x12):14Pcs



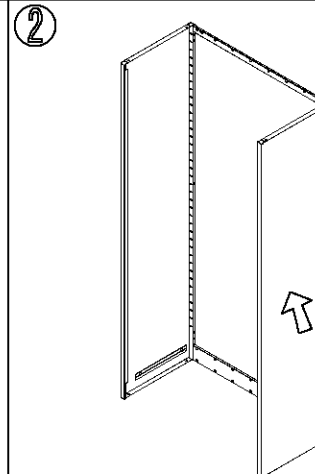
Key:1 Set



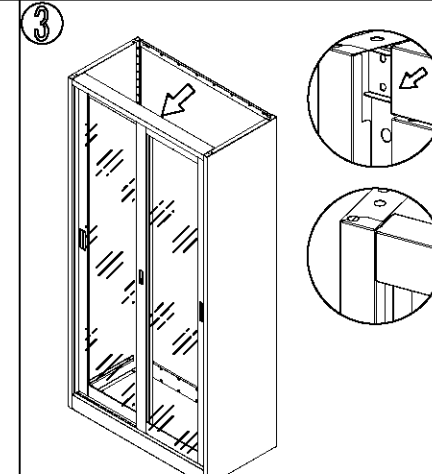
install the handle:  
fit the bottom part first



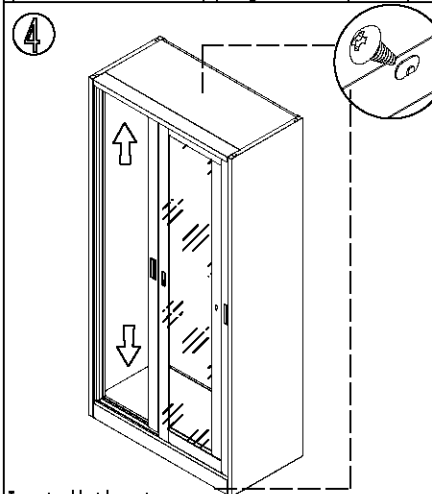
1 Bolt the left side and back  
plate with self-tapping screws(5x12)



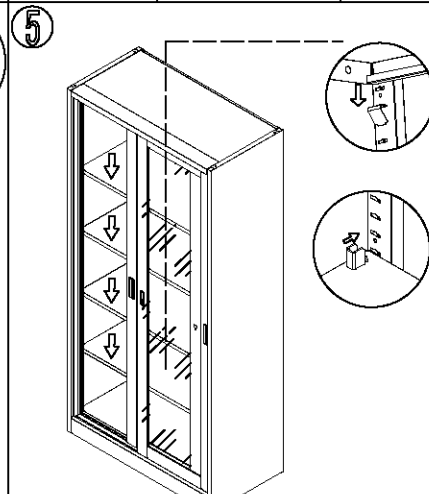
2 Bolt the right plate and back plate in  
the same way as the first step



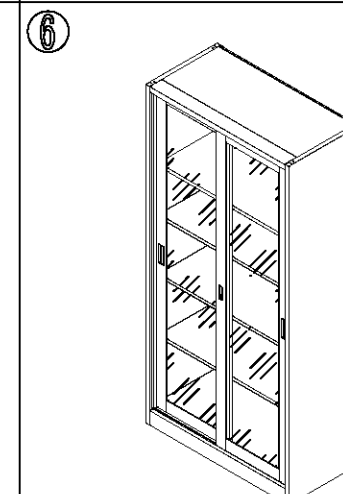
3 Fix the door frame onto both of  
the side plates



4 Install the top  
and bottom plate respectively



5 Install the shelves.



6 Adjust each parts till  
fit well after installation