

Left Side:1Pc

Right Side:1Pc

Door Frame:1Pc

Back Plate:1Pc

Top Plate:1Pc

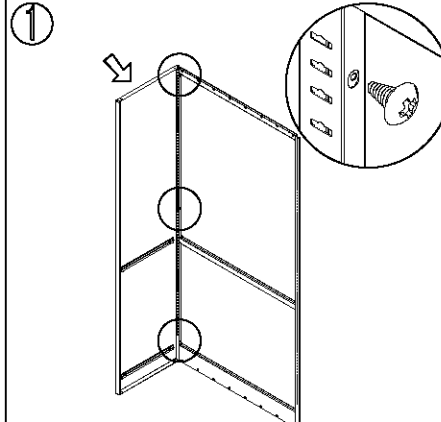
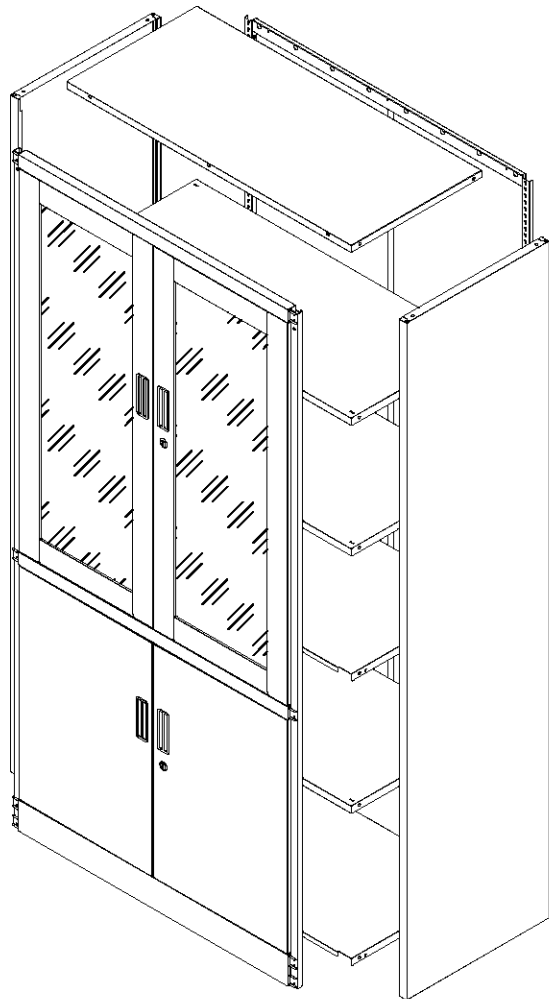
Shelf:3Pc

Middle and Bottom Plate: Total 2Pcs

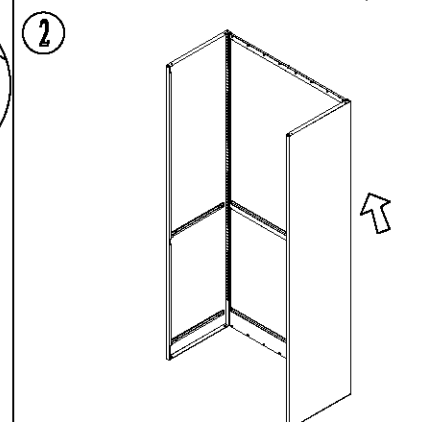
Shelf Holder:12pcs

Self-tapping Screw(5x12):13Pcs

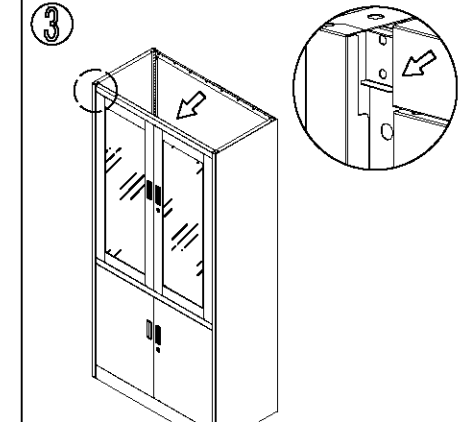
Key:2 Set



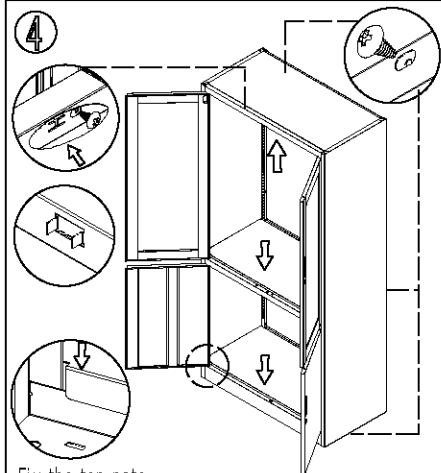
Bolt the left side and back plate with self-tapping screws(5x12)



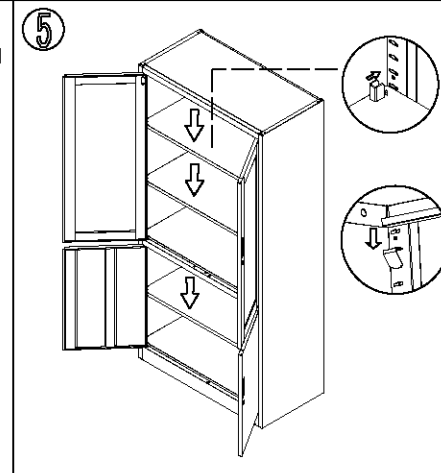
Bolt the right plate and back plate in the same way as the first step



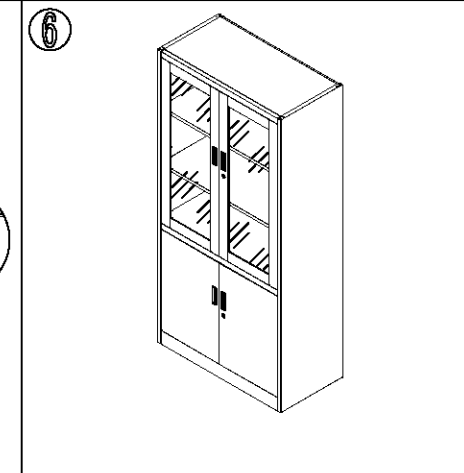
Fix the door frame onto both of the side plates



Fix the top plate, bottom plate and middle plate with self-tapping screw 5*12



Install the shelves.



Adjust each parts till fit well after installation